

产品介绍
INTRODUCTION



CW12A-*A-R

CW12AL2-*A-R

YS36M1AN-*A

YS36Q1AN-*A

YS38M2AR-*A

- 单相交流电源滤波器 Single phase AC filters
- 含共模和差模线圈 With common mode and differential mode coil
- 欧式端子连接安全快捷 European style terminal block connected is safe and quick
- 大电流滤波器 High current filter
- 多种安装方式可供选择 Multiple installation methods to choose from

产品特点
FEATURE

- CW12A-*A-R 螺丝固定滤波器 Filter by screw fixed
- YS36M1AN-*A 螺丝固定滤波器 Filter by screw fixed
- YS36Q1AN-*A 底部导轨固定滤波器 Filter by bottom guide rail fixed
- CW12AL2-*A-R 欧式端子出线双极滤波器 European style terminal block connection bipolar filter
- YS38M2AR-*A 端子排出线双极滤波器 Terminal block connection bipolar filter

应用范围
APPLICATION

- 电子电气设备 Electrical and Electronic Equipment
- 医疗设备 Medical Equipment
- 办公自动化设备 Office Automation Equipment
- 消费电子 Consumer Electronic Production
- 数据通讯设备 Data Communication
- 其他电源产品等 Other Power Production...

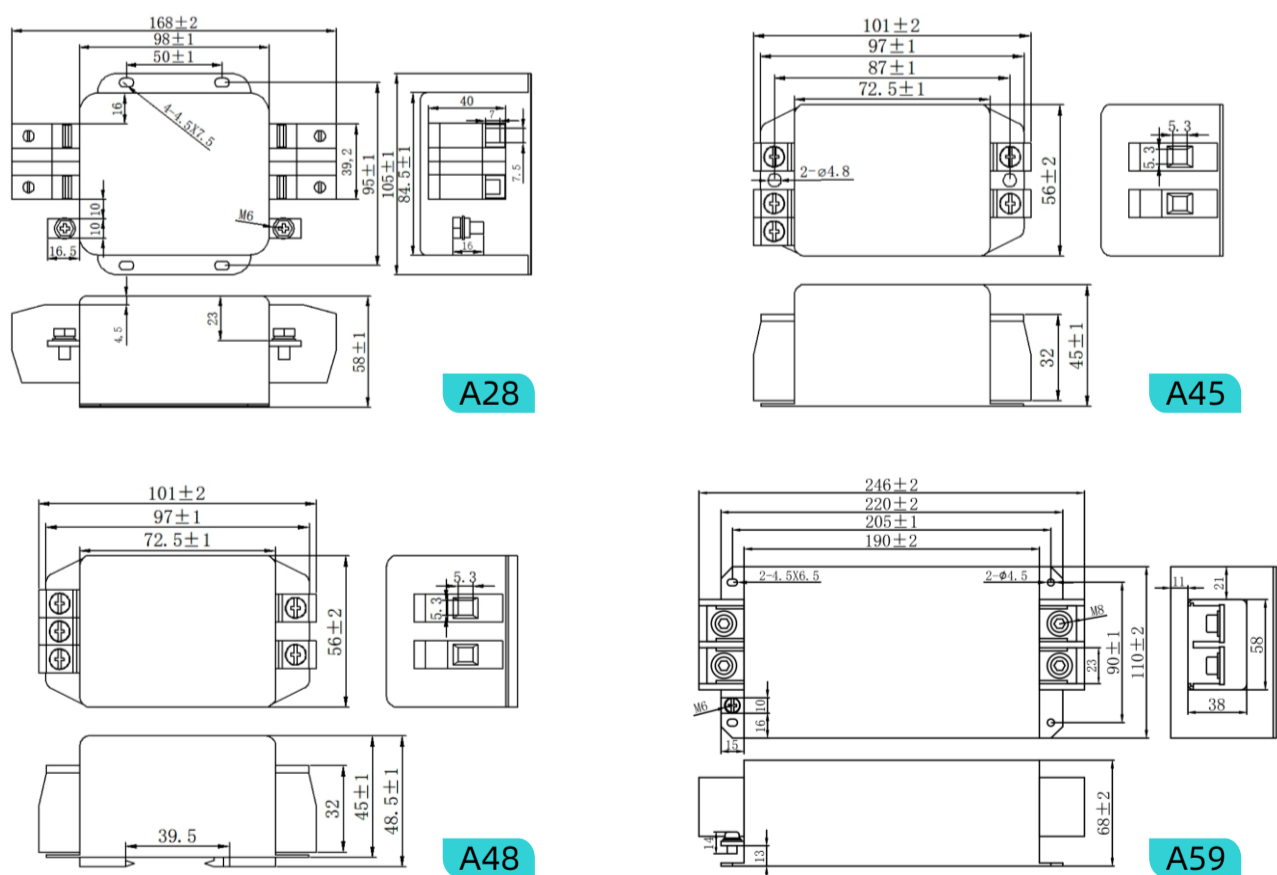
技术参数
TECHNICAL DATA

- 额定电压 / Rated Voltage : 115/250V AC
- 工作频率 / Working Frequency : 50/60Hz
- 额定电流 / Rated Current : 40-200A
- 气候类型 / Climatic Category : 25/85/21
- 测试电压 / Working Frequency : 1500V DC(Line to Line) 2000V AC(Line to Ground)

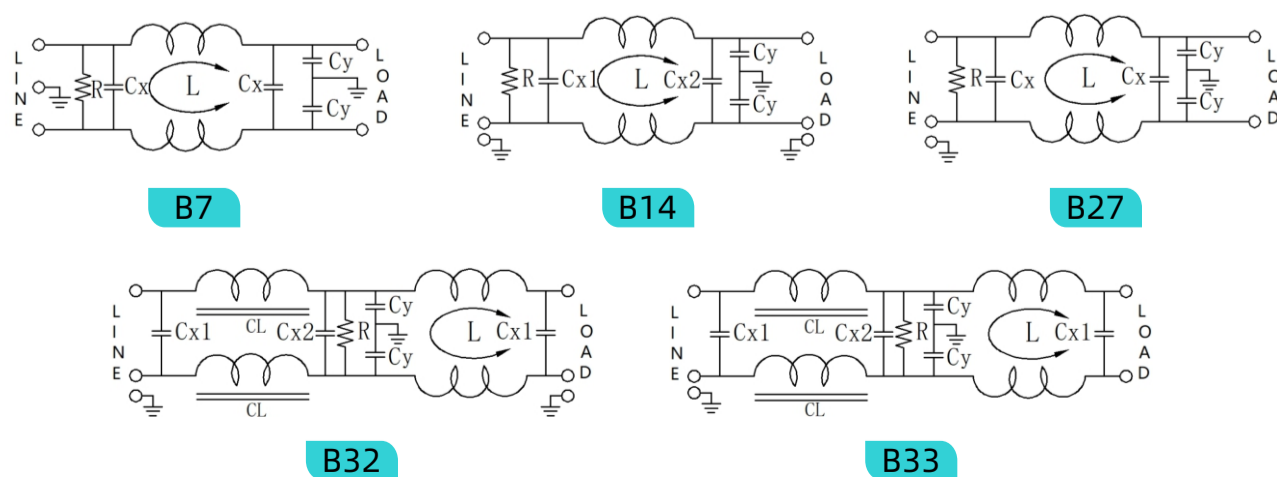
产品列表
LIST

产品型号 Part No.	额定电流(A) Rate Current	泄露电流(mA) Leakage Current @250VAC 50Hz	电路图 Schematics	外形尺寸 Dimension	出线方式 Connection	安装方式 Installation	重量 (g) Weigh	安规认证 Certification
CW12A-*A-R	40/50/60/70/80/85	< 0.5	B14	A28		螺丝 Screw	1089	CE RoHS
CW12AL2-*A-R	40/50/60/70/80/85	< 0.5	B32	A28		螺丝 Screw	1103	CE RoHS
YS36M1AN-*A	40/50/60	< 0.5	B27	A45		螺丝 Screw	341	CE RoHS
YS36Q1AN-*A	40/50/60	< 0.5	B7	A48		导轨 Rail	341	CE RoHS
YS38M2AR-*A	90 ~ 200	< 0.5	B33	A59		螺丝 Screw	2789	CE RoHS

外形尺寸(mm)
DIMENSION



电路图
SCHEMATICS



专业电源滤波器制造商

Professional power filters from manufacturer