

产品介绍  
INTRODUCTION



CW6CL2-(40~85)A-R



CW6CL2-(3~30)A-R



YS69M2CR-\*A

- 三相四线交流电源滤波器  
Three-phase four-wire AC power filter
- 多种出线方式可供选择  
Multiple connection to choose from
- 含共模和差模线圈  
With common mode and differential mode coil
- 3A-200A多种电流可选  
3A-200A Multiple Current Options

产品特点  
FEATURE

- CW6CL2-(3~85)A-R 螺丝固定欧式端子出线双极滤波器  
European style terminal block connection bipolar filter by screw fixed
- YS69M2CR-\*A 螺丝固定端子排出线双极滤波器  
European style terminal block connection bipolar filter by screw fixed

应用范围  
APPLICATION

- 电子电气设备  
Electrical and Electronic Equipment
- 医疗设备  
Medical Equipment
- 办公自动化设备  
Office Automation Equipment
- 消费电子  
Consumer Electronic Production
- 数据通讯设备  
Data Communication
- 变频器  
Frequency converter
- 机械设备  
Mechanical equipment
- 三相工业设备  
Three-phase industrial equipment
- 各类电力设备  
Power equipment of all kinds

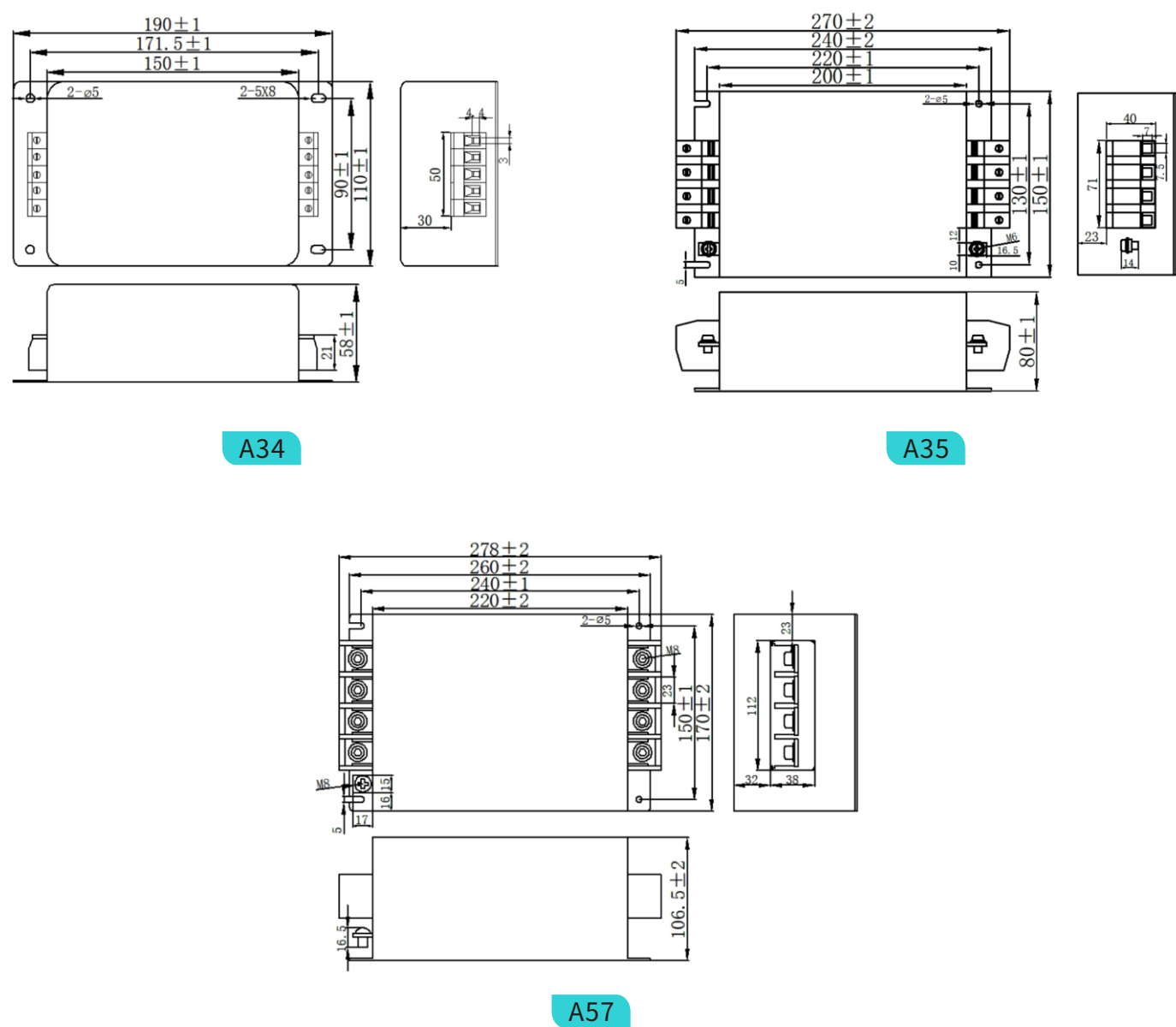
技术参数  
TECHNICAL DATA

- 额定电压/ Rated Voltage: 115/250/380/480V AC
- 工作频率/ Working Frequency: 50/60Hz
- 额定电流/ Rated Current: 3-200A
- 气候类型/ Climatic Cztegoty: 25/85/21
- 测试电压/ Working Frequency: 1500VDC (Line to Line) 2000V AC(Line to Ground)

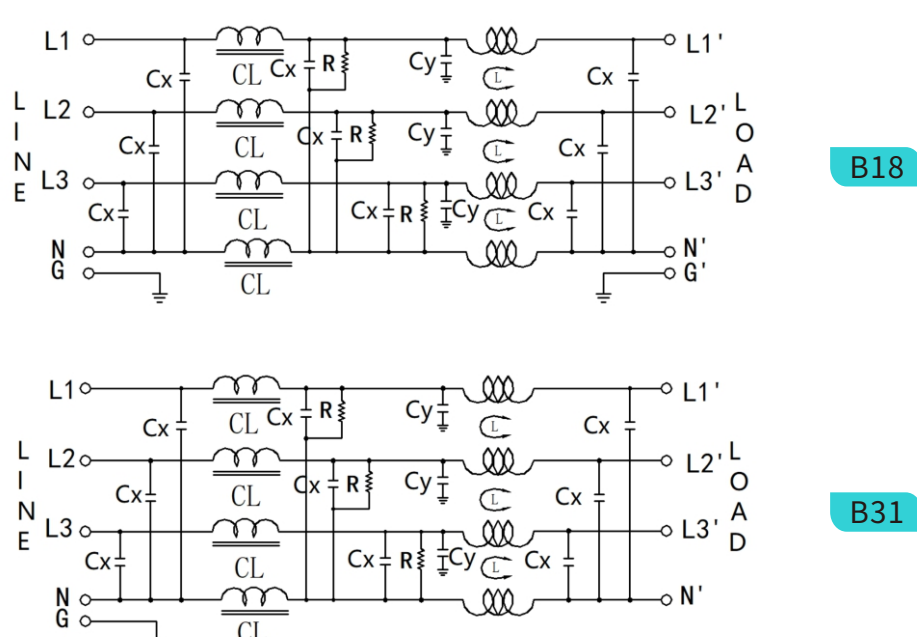
产品列表  
LIST

产品型号 Part No.	额定电流(A) Rate Current	泄露电流(mA) Leakage Current @250VAC 50Hz	电路图 Schematics	外形尺寸 Dimension	出线方式 Connection	安装方式 Installation	重量 (g) Weigh	安规认证 Certification
CW6CL2-*A-R	3/6/10/20/30	<2.1	B18	A34		螺丝 Screw	2200	CE RoHS
CW6CL2-*A-R	40-85	<2.1	B18	A35		螺丝 Screw	4550	CE RoHS
YS69M2CR-*A	90-200	<2.1	B31	A57		螺丝 Screw	7000	CE RoHS

外形尺寸(mm)  
DIMENSION



电路图  
SCHEMATICS



专业电源滤波器制造商

Professional power filters from manufacturer